



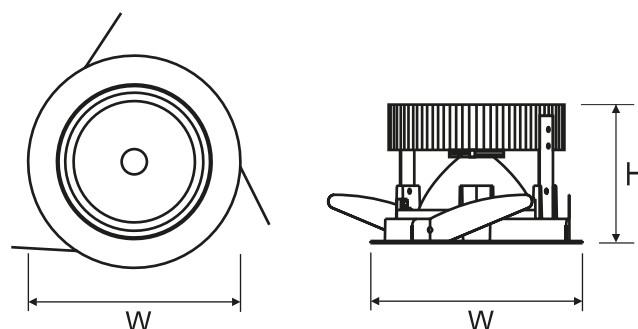
Decorative downlight luminaire for suspended ceilings, for LED light sources with reduced glare effect.

TECHNICAL DATA	Mounting: in the ceiling, with mounting brackets (included) Body: aluminum Colour: white
ELECTRICAL DATA	Power supply efficiency: >85% Power: 220-240V 50/60Hz Includes light source: yes Type of equipment: ED Electrical connection: max 2x1,5 mm ² wire
OPTICAL DATA	Light distribution: circular Way of lighting: direct Reflector: aluminum polished faceted
GENERAL DATA	Lifetime (L80B10): 50 000 h Operating temperature range: 0°C ... +40°C Available on request: DALI, LED emergency module Warranty: 5 years Application: boutiques, delicatessen, jeweler, shopping centers, supermarkets, museums



Code	Beam angle	Power LED [W]	Luminaire power [W]	Lumen LED [lm]	Lumen luminaire [lm]	Efficacy [lm/W]	Colour temperature [K]	CRI/Ra
030431.5L01.311	30°	18	21	2000	1650	79	3000	≥80
030431.5L01.321	72°	18	21	2000	1650	79	3000	≥80
030431.5L02.311	30°	16	19	2000	1650	87	4000	≥80
030431.5L02.321	72°	16	19	2000	1650	87	4000	≥80
030431.5L03.311	30°	28	32	3000	2500	78	3000	≥80
030431.5L03.321	72°	28	32	3000	2500	78	3000	≥80
030431.5L04.311	30°	23	27	3000	2500	93	4000	≥80
030431.5L04.321	72°	23	27	3000	2500	93	4000	≥80

Code	Dimensions [mm] W H	Mounting dimensions [mm] ØS	Pallet quantity	Quantity in package	Net weight [kg]
030431.5L01.311	192 101	170	240	1	1.1
030431.5L01.321	192 101	170	240	1	1.1
030431.5L02.311	192 101	170	240	1	1.1
030431.5L02.321	192 101	170	240	1	1.1
030431.5L03.311	192 101	170	240	1	1.1
030431.5L03.321	192 101	170	240	1	1.1
030431.5L04.311	192 101	170	240	1	1.1
030431.5L04.321	192 101	170	240	1	1.1

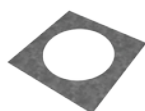


Luminous flux tolerance +/- 10%.
Power tolerance +/- 5%.

Lighting beam, light intensity distribution and light efficiency were examined in accordance with the EN ISO 17025:2005 norm for EN13032 norm series and the LM-79 norm.
Up-to-date product info and General Warranty Terms available on our website www.luglightfactory.com

OTHER PICTURES

**ACCESSORIES**



150100.00518

Mounting plate

Luminous flux tolerance +/- 10%.

Power tolerance +/- 5%.

Lighting beam, light intensity distribution and light efficiency were examined in accordance with the EN ISO 17025:2005 norm for EN13032 norm series and the LM-79 norm.
Up-to-date product info and General Warranty Terms available on our website www.luglightfactory.com

Date of issue: 9-6-2018

The LUG Company reserves right to introduce any construction changes and improvements into the lighting luminaires